



GeoHome

ICRC IFRC IOM Standard

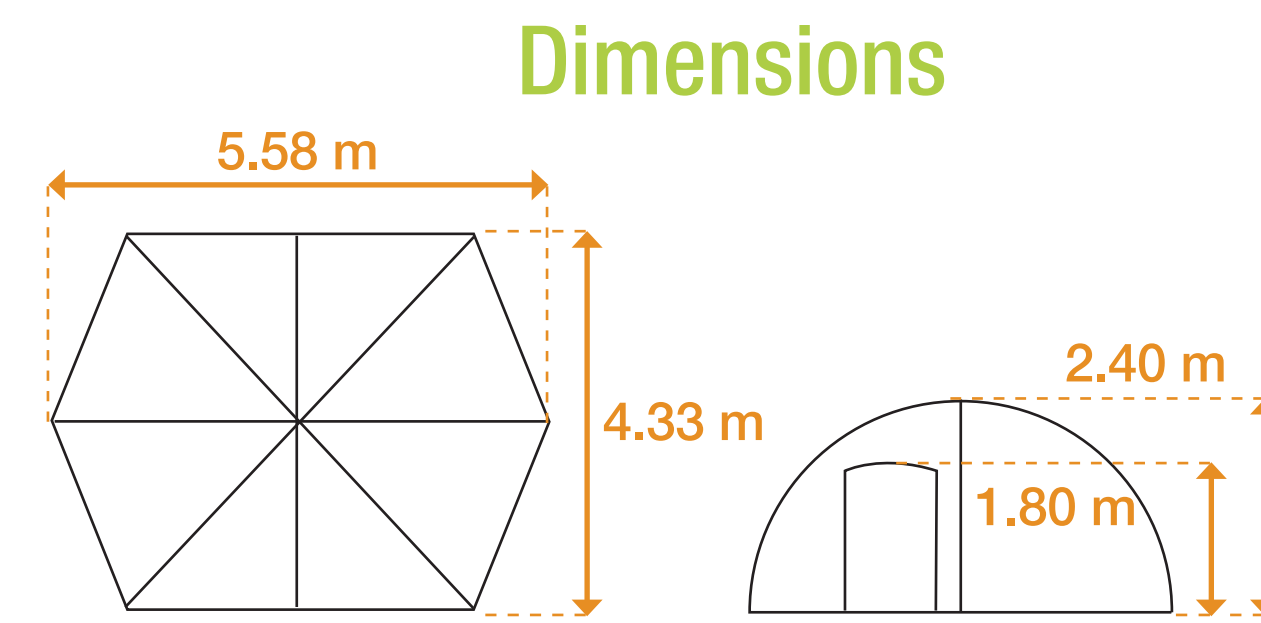
New generation family tents



Watch key features & assembly videos on
www.nrsrelief.com

GeoHome

Key features



High performance family tent

- » 5 people
- » Living area: **18.3 m²**

Easy set-up

- » 3 people
- » **15 minutes**

Adaptable to all climates

- » UV and waterproof
- » Good ventilation
- » Shade net
- » High stability, wind resistant
 - » Shock absorbers
 - » Strong frame
 - » Bathtub ground sheet
 - » Pockets to secure tent

Fire retardant

- » CPAI 84

Eco-friendly

- » All materials can be reused, recycled or safely disposed.

