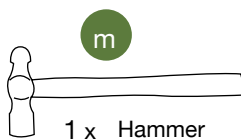
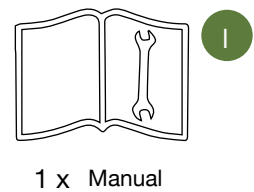
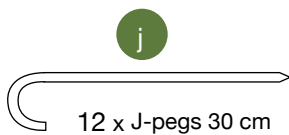
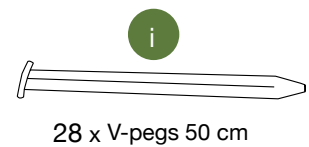
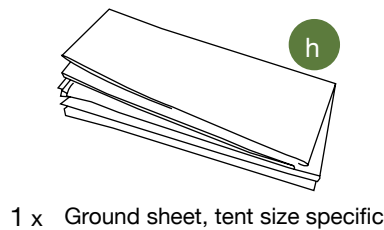
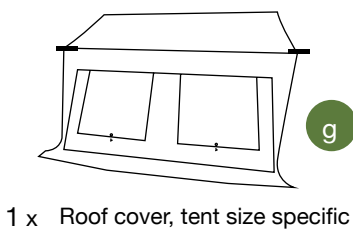
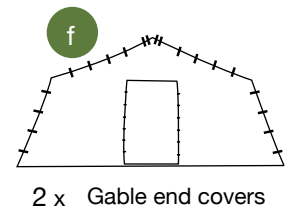
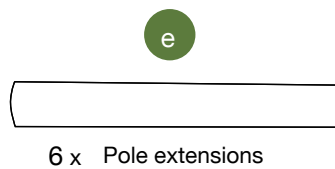
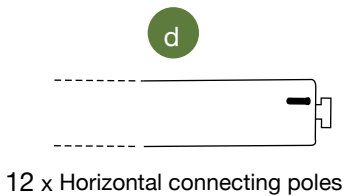
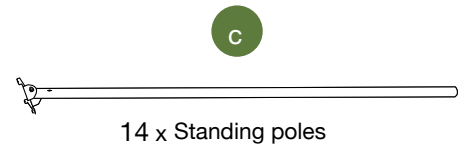
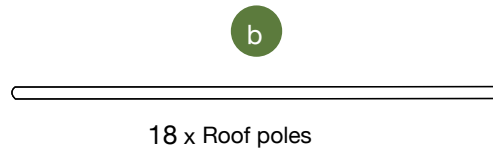
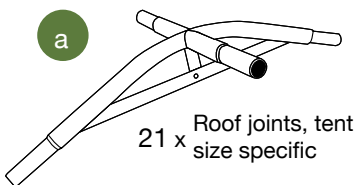
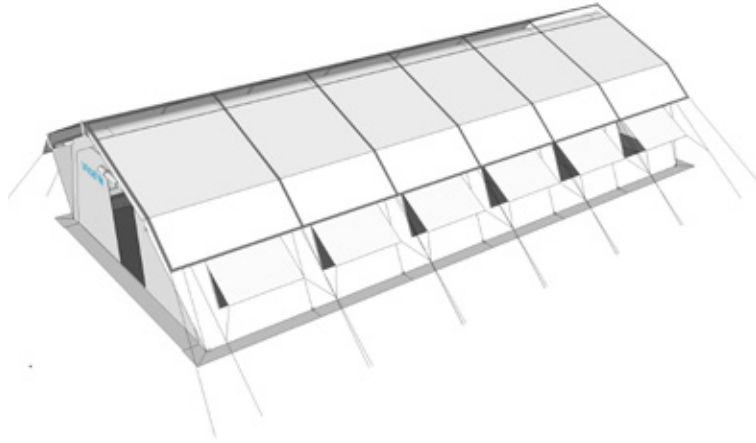
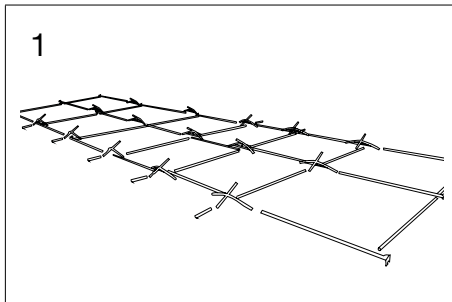


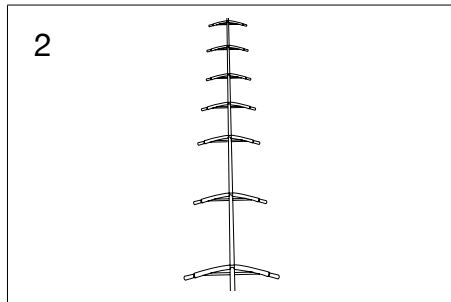
## Packing list



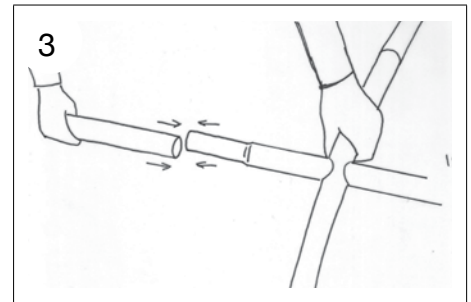
## Main tent



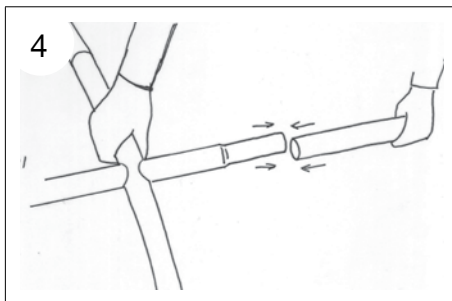
1  
Lay out the frame components as shown in the drawing.



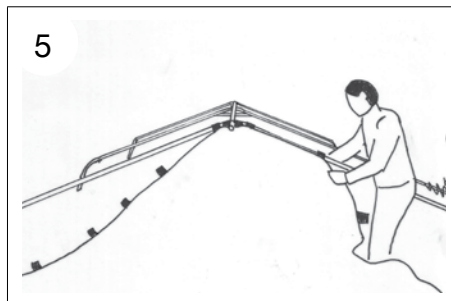
2  
Assemble the ridge bar.



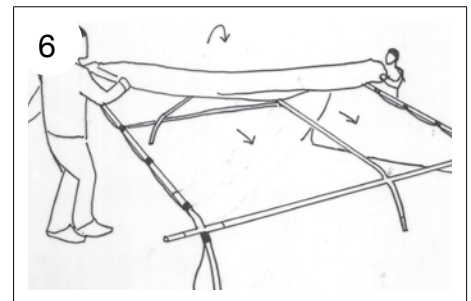
3  
Assemble one side of the roof frame.



4  
Assemble the other side of the roof frame.



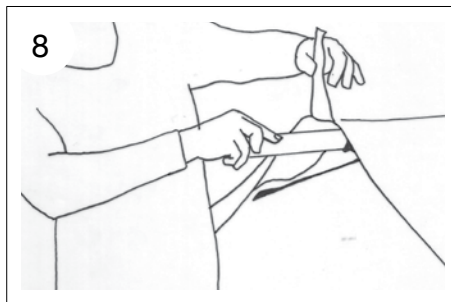
5  
Attach the front and back gable covers to the roof frame. Use the black velcro straps, starting from the apex.



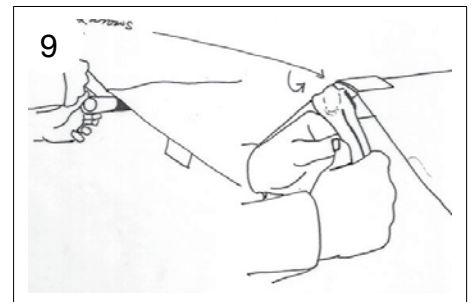
6  
Pull the roof cover over the roof frame



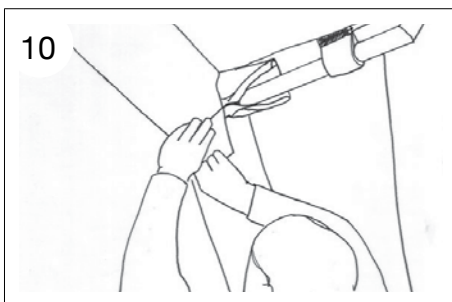
7  
Attach the roof cover to the roof frame with the black Velcro straps.



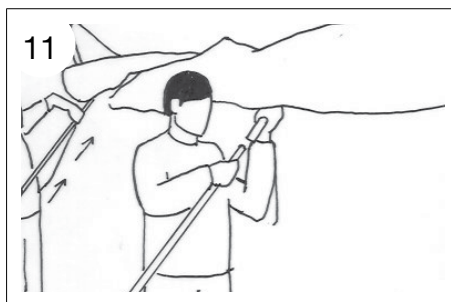
8  
Insert the roof extension poles



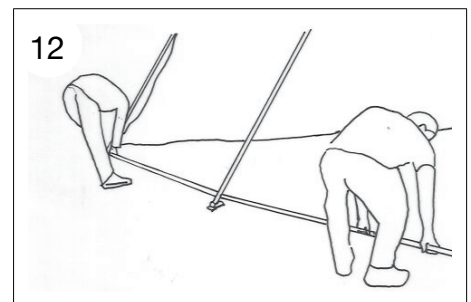
9  
Secure the roof extension poles by using the Velcro straps



10  
Seal the cover overlaps in the corners and at the apex with Velcro and close the cuffs

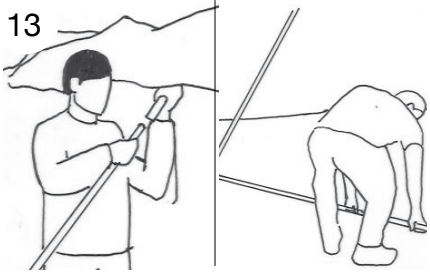


11  
Lift one side of the tent and slot the wall poles into the roof joints. Note: the big hole in the base plate should be facing outwards.



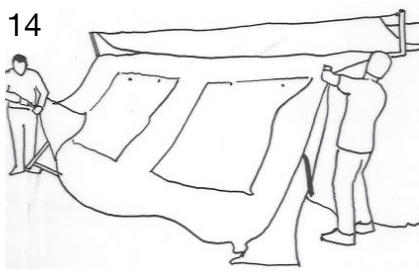
12  
Connect the horizontal bottom pipes to the wall pipes. Note: twist to lock in place.

13



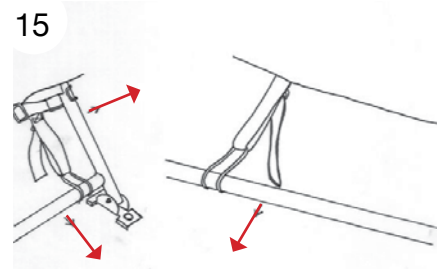
Repeat points 12 and 13 on the other side of the tent

14



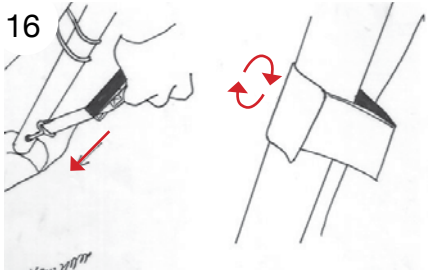
Pull down the side walls of the roof cover.

15



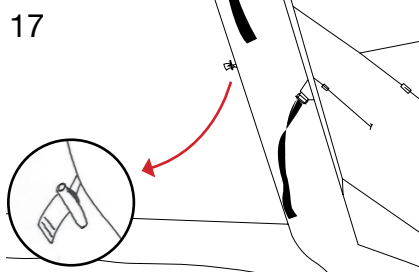
Use the hooks to attach to the bottom pipes and tighten

16



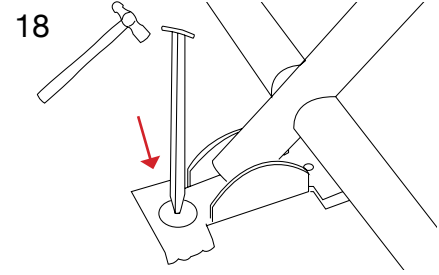
Finish fixing gable covers to wall poles. Fix the straps with hook at the bottom corners to the wall pipes, then complete the Velcro straps.

17



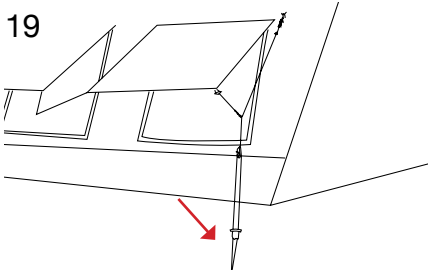
Fix the cover flap to the gable covers using the toggles

18



**IMPORTANT:** Anchor the base plates with V-pegs

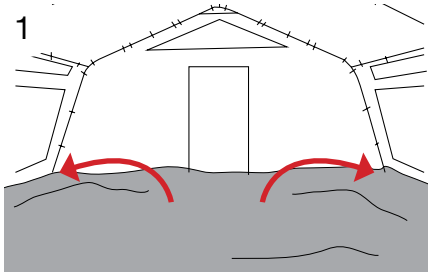
19



**IMPORTANT:** Attach the guy lines and anchor with V-pegs

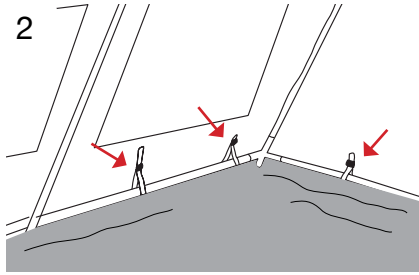
## Ground sheet

1



Roll out the groundsheet

2



Starting from one doorway, fix the groundsheet to the side walls by fixing the toggles to the rings.